

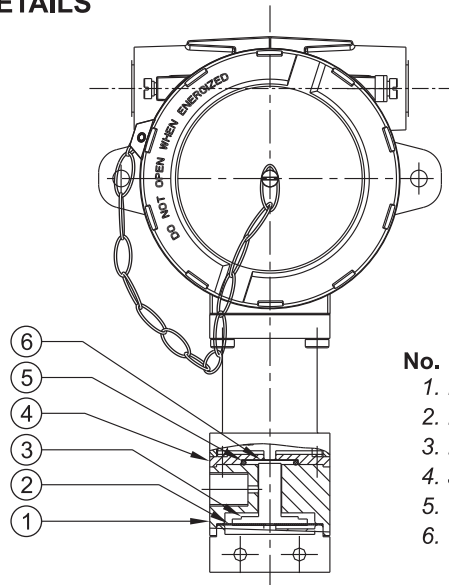
FC/FE VACUUM SWITCHES



FC



PRESSURE CAPSULE DETAILS

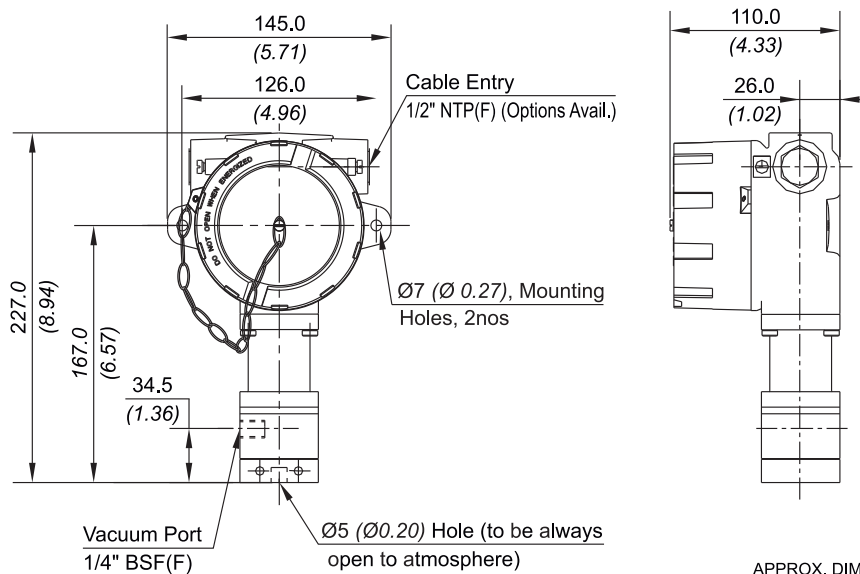


No. Description

1. Disc
2. Diaphragm
3. Plunger (SS316)
4. Junction Plate
5. Sealing O-Ring (PTFE)
6. Sealing diaphragms (PTFE)

Note : *wetted parts* are mentioned in italics.

INSTALLATION DRAWING



FC/FE VACUUM SWITCHES

RANGE SELECTION TABLE

Range Code	Range mm Hg (" Hg)	Differential* mm Hg ("Hg)	Maximum Working Pressure bar (psi)
		Approximate Maximum for "A1" microswitch	
V00	† 760 to 100 (29.92 to 3.94)	20.0 (0.78)	12.0 (174.05)

Note:

1. The minimum differential increases with the setpoint. The differential values mentioned in the above table are approximate maximum for FSR. The differential value will vary according to the pressure range selected and microswitch type. For actual values of differential please contact sales office.

2. When using 2SPDT switching arrangement, both microswitches may not actuate and/or deactuate at the same point. A small stage gap, normally upto +/- 5% FSR (depending on range code) may be observed. The On-Off differential (hysteresis) typically tends to be atleast double of those published for 1SPDT pressure switches.

If actuation and/or deactuation at same point is critical part of operation, then it can be achieved by using a separate DPDT relay. This relay will need a separate power supply for it's coil.

HOW TO ORDER FLAMEPROOF VACUUM RANGE SWITCHES

Group 1	Group 2	Group 3	Group 4	Group 5	Group 6	Group 7	Group 8												
Non standard allocation	Model	Cable Entry Size	Switch Type	Range Code (values in mmHg)	Microswitch Type	Pressure Port Material / Size	Diaphragm												
<input type="checkbox"/> A prefix "N" is used in the model code in case of any non standard options / accessories that are provided with the switches. Will be given by manufacturer, only after agreement of supply details with customer. The prefix is subject to change as per specific requirement.	FC = IP66 Flameproof pressure switch, ATEX, IECEx & PESO approved FE = IP66 Flameproof pressure switch, PESO approved	1 = Al. head 1/2" NPT threads 2 = Al. head 3/4" NPT threads 3 = Al. head M20 x 1.5 threads *4 = Grey CI head 1/2" NPT threads *5 = Grey CI head 3/4" NPT threads *6 = Grey CI head M20 x 1.5 threads 7 = SS head 1/2" NPT threads 8 = SS head 3/4" NPT threads 9 = SS head M20 x 1.5 threads *Not available in FE models	V1 = vacuum switch, fixed differential without scale For adjustable differential please select microswitches A6 or C6 in group 6	V00 = (+ 760 - 100)	A1 = General purpose microswitch rated at 15 A, 250 VAC *A6 = elements with adjustable deadband *A7 = 2SPDT switching elements A8 = General purpose microswitch rated at 5 A, 250 VAC; 5 A, 28 VDC *B7 = 2SPDT Switching Elements C6 = 1SPDT Adjustable Differential Please refer to page nos. 120 & 121 for options and specifications of microswitches * Please contact sales office for additional information	S1 = SS316 / 1/4" BSP(F) S2 = SS316 / 1/4" NPT(F)	0 = Neoprene 1 = PTFE												
Approx. switch weight in Kgs																			
<table border="1"> <thead> <tr> <th>Enclosure</th> <th>FC</th> <th>FE</th> </tr> </thead> <tbody> <tr> <td>Aluminium</td> <td>2.030</td> <td>1.530</td> </tr> <tr> <td>Grey CI</td> <td>4.430</td> <td>3.950</td> </tr> <tr> <td>SS</td> <td>4.560</td> <td>4.050</td> </tr> </tbody> </table>		Enclosure	FC	FE	Aluminium	2.030	1.530	Grey CI	4.430	3.950	SS	4.560	4.050						
Enclosure	FC	FE																	
Aluminium	2.030	1.530																	
Grey CI	4.430	3.950																	
SS	4.560	4.050																	
More options available, please contact sales office																			
For additional wetted parts please contact Sales Office																			

eg. A flameproof switch for gas group IIC, with 1/2" NPT cable entry in aluminium housing as 1SPDT vacuum switch, having 760 mm Hg to 100 mm Hg vacuum range, with 15Amp. microswitch, SS316 pressure housing with 1/4" BSP port size & neoprene diaphragm shall be specified by

Group 1	Group 2	Group 3	Group 4	Group 5	Group 6	Group 7	Group 8
□	FC	1	V1	V00	A1	S1	0

Please specify full model number to avoid ambiguity. If only the first two groups are specified while ordering, uncalibrated switches with standard wetted parts and enclosures will be supplied.